

Fully Welded Ball Valves

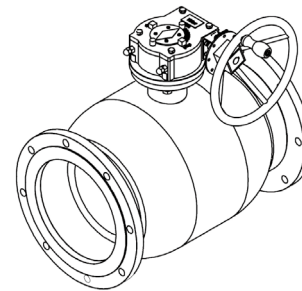
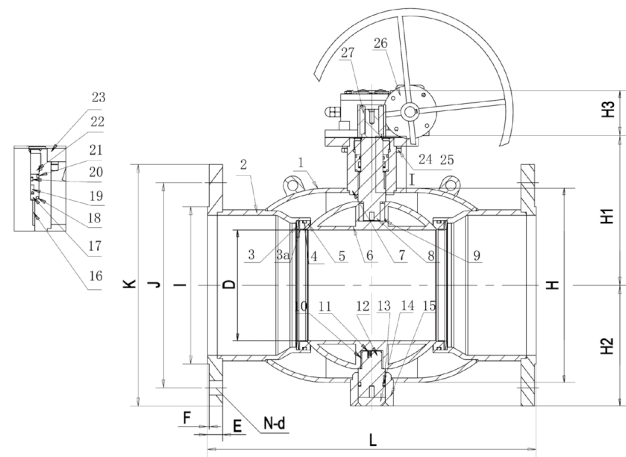
PN25/400PSI/Class250

Reduced Bore, Worm Gear, Fixed Ball
Design to EN488
Pressure Test to EN12266.1



WB3628-G
FXF

Materials List		
1	Body	A106-B, EN10217-2
2	Welded Pipe	A106-B, EN10217-2
3	Spring	AISI 304, EN10088-3
3a	Fireproof Gasket	AISI 304
4	O-Ring	Viton
5	Seat Ring	PTFE 25%C
6	Ball	AISI 304, EN10088-3
7	Stem Guide	A106-B, EN10217-2
8	Stem	ASTM A420, EN10088-3
9	Lock Key	AISI 1045
10	Bearing	AISI 304 PTFE
11	Anti-Static Device	AISI 304
12	Fixing Bushing	ASTM A105
13	O-Ring	Viton
14	Closure	ASTM A53-F
15	Bottom Bushing	A106-B, EN10217-2
16	Bearing	AISI 304 PTFE
17	Gland Cover	A106-B, EN10217-2
18	O-Ring	AViton
22	Gland	A106-B, EN10217-2
23	ISO Flange	ASTM A105
24	Bolt	ASTM A193-B7
25	Spring Washer	ASTM 1566
26	Gearbox	ASTM A536
27	Lock Key	AISI 1045
28	Lifting Lug	ASTM A53-F



* Operating temperature range: -30°C ~ +200°C .
* For other materials and special requirements, please consult the factory or the local offices.

Dimensions/Weights															
In	D	H	L	H1	H2	H3	I	J	K	E	F	N-d	Kvs	Lbs	Kg
6	125	219	403	182	150	81	218	250	300	30	3	8-Φ25	1120	135	61
8	150	273	502	226	174	81	278	310	360	34	3	12-Φ25	1620	203	92
10	200	351	568	267	230	81	332	370	425	36	3	12-Φ30	3300	337	153
12	250	426	648	307	277	90	390	430	485	40	4	16-Φ30	4600	584	265

* Please consult the engineers for full-bore dimensions.

Fully Welded Ball Valves

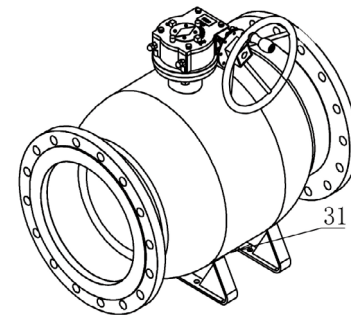
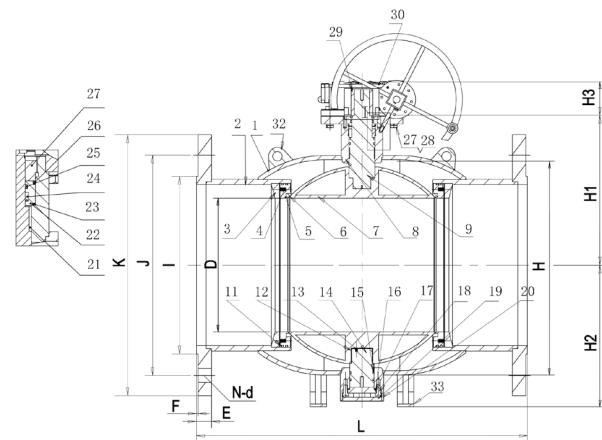
PN25/400PSI/Class250

Reduced Bore, Worm Gear, Fixed Ball
Design to EN488
Pressure Test to EN12266.1



WB3628-G
FXF

Materials List		
1	Body	A106-B, EN10217-2
2	Welded Pipe	A106-B, EN10217-2
3	Baffle	ASTM A105
4	Spring	AISI 304, EN10088-3
5	Seat Ring	PTFE 25%C
6	Pressure Ring	ASTM A105
7	Ball	AISI 304, EN10088-3
8	Stem Guide	A106-B, EN10217-2
9	Stem	ASTM A420, EN10088-3
11	O-Ring	Viton
12	Bearing	AISI 304 PTFE
13	Anti-Static Device	AISI 304
14	Fixing Bushing	ASTM A105
15	O-Ring	Viton
17	End Cap	ASTM A53-F
18	Screw	ASTM A193-B7
19	Closure	ASTM A53-F
20	Bottom Bushing	AISI 1020
21	O-Ring	Viton
23	Gland	AISI 1020
24	O-Ring	Viton
26	ISO Flange	ASTM A105
27	Spring Washer	ASTM 1566
28	Bolt	ASTM A193-B7
29	Lock Key	AISI 1045
30	Gearbox	ASTM A536
31	Exhaust Valve	AISI 1025
32	Lifting Lug	ASTM A53-F
33	Seat	ASTM A53-F



* Operating temperature range: -30°C ~ +200°C .
* For other materials and special requirements, please consult the factory or the local offices.

Dimensions/Weights															
In	D	H	L	H1	H2	H3	I	J	K	E	F	N-d	Kvs	Lbs	Kg
14	300	508	762	347	335	96	448	490	550	44	4	16-Φ34	8300	845	383
16	335	560	838	384	376	107	505	550	610	48	4	16-Φ34	12500	1195	542
18	385	640	914	425	425	107	555	600	660	50	4	20-Φ34	15300	1828	829
20	438	735	991	480	497	107	610	660	730	52	4	20-Φ41	18000	1956	887

* Please consult the engineers for full-bore dimensions.

Fully Welded Ball Valves

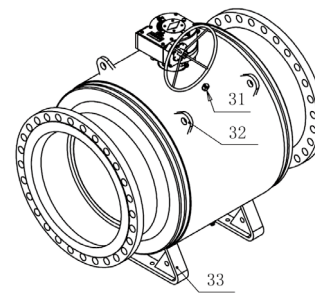
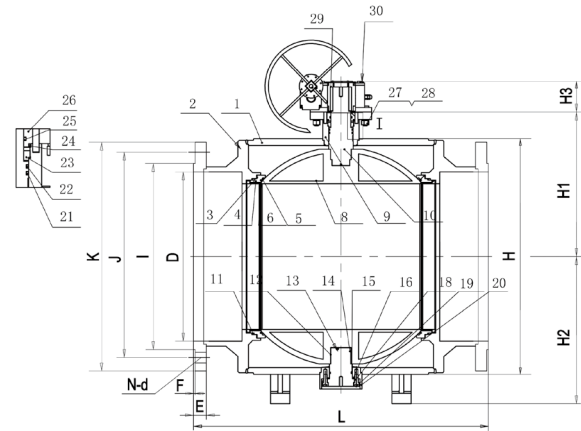
PN25/400PSI/Class250

Reduced Bore, Worm Gear, Fixed Ball
Design to EN488
Pressure Test to EN12266.1



WB3628-G
Fx F

Materials List		
1	Body	A106-B, EN10217-2
2	Welded Pipe	A106-B, EN10217-2
3	Baffle	ASTM A105
4	Spring	AISI 304, EN10088-3
5	Seat Ring	PTFE 25%C
6	Pressure Ring	ASTM A105
7	Ball	AISI 304, EN10088-3
8	Stem Guide	A106-B, EN10217-2
9	Stem	ASTM A420, EN10088-3
11	O-Ring	Viton
12	Bearing	AISI 304 PTFE
13	Anti-Static Device	AISI 304
14	Fixing Bushing	ASTM A105
15	O-Ring	Viton
18	Screw	ASTM A193-B7
19	Closure	ASTM A53-F
20	Bottom Bushing	AISI 1020
21	O-Ring	Viton
23	Gland	AISI 1020
24	O-Ring	Viton
26	ISO Flange	ASTM A105
27	Spring Washer	ASTM 1566
28	Bolt	ASTM A193-B7
29	Lock Key	AISI 1045
30	Gearbox	ASTM A536
31	Exhaust Valve	AISI 1025
32	Lifting Lug	ASTM A53-F
33	Seat	ASTM A53-F



* Operating temperature range: -30°C ~ +200°C .
* For other materials and special requirements, please consult the factory or the local offices.

Dimensions/Weights															
In	D	H	L	H1	H2	H3	I	J	K	E	F	N-d	Kvs	Lbs	Kg
24	590	805	1143	546	540	125	718	770	840	56	5	20-Φ41	29000	2838	1287
28	685	965	1346	625	635	146	815	875	955	60	5	24-Φ48	35000	5089	2308
32	780	1120	1524	702	710	157	930	990	1070	64	5	24-Φ48	52000	7246	3286
36	874	1280	1727	790	810	157	1025	1090	1180	66	5	28-Φ54	58000	10330	4685
40	976	1410	1900	865	885	187	1140	1210	1305	68	5	28-Φ58	75000	13662	6196
48	1166	1570	2180	965	980	187	1350	1420	1525	72	5	32-Φ58	108000	18908	8575

* Please consult the engineers for full-bore dimensions.